

## WebiSmarts System

Detector Mounting Clip CAT: BAK-1200

### Radiation Detection Division

The gamma detectors in the labs should be mounted at heart height above the ground. They should be mounted in a vertical position so that there is no directional blockage of radiation. The Bracket is a sturdy spring steel bracket with a tough grip on the detector so care should be exercised when inserting or extracting the detector.

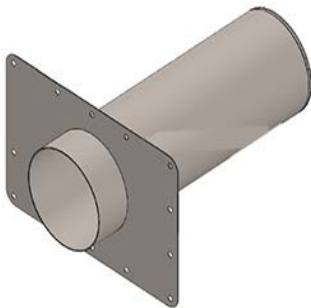
The Detector Bracket is compatible to the GM-40, GM-41, GM-42, GM-10 and Wide Range external detectors.

This Bracket is included when ordering any of the detectors above.



## Other Brackets that my interest you

**PM-11/GM-42 Stack Detector Bracket**  
BAK-1563/BAK-1550



**Flow Meter Bracket**  
BAK-1160



**DPU-3 Wall Bracket**  
MEC-9285



**Advanced Universal Detector Bracket**  
BAK-0194



ROTEM INDUSTRIES reserves the right to change specifications without advance notice