

WebiSmarts System

Weatherproof PM-11 Detector Bracket for Exhaust Stack CAT: BAK-1563

Radiation Detection Division

WebiSmarts utilizes two gamma detectors to calculate and display the concentration of effluent through the exhaust stack and thereby create historical graphs of concentration and a report of activity released between two dates. Both detectors are inserted into stainless steel brackets within the exhaust stack and covered by a PVC jacket on the outside.



* Silicon or any other sealer not supplied

Bracket for Exhaust Stack

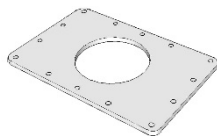
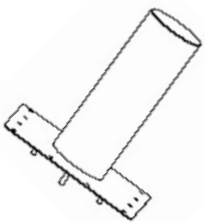
Includes:

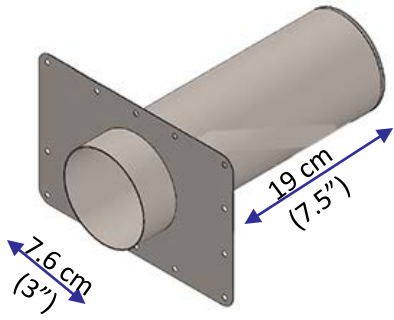
Stainless Steel Bracket

Rubber Seal

PVC Weatherproof Jacket

PVC Cable Cover

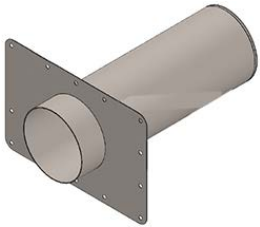




Other Brackets that may interest you

GM-42 Bracket

BAK-1550



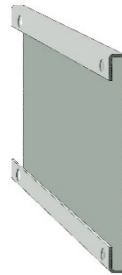
Flowmeter Bracket

BAK-1160



DPU-3 Wall Bracket

MEC-9285



Detector Mounting Clip

BAK-1200



Advanced Universal Detector Bracket

BAK-0194



ROTEM INDUSTRIES reserves the right to change specifications without advance notice