

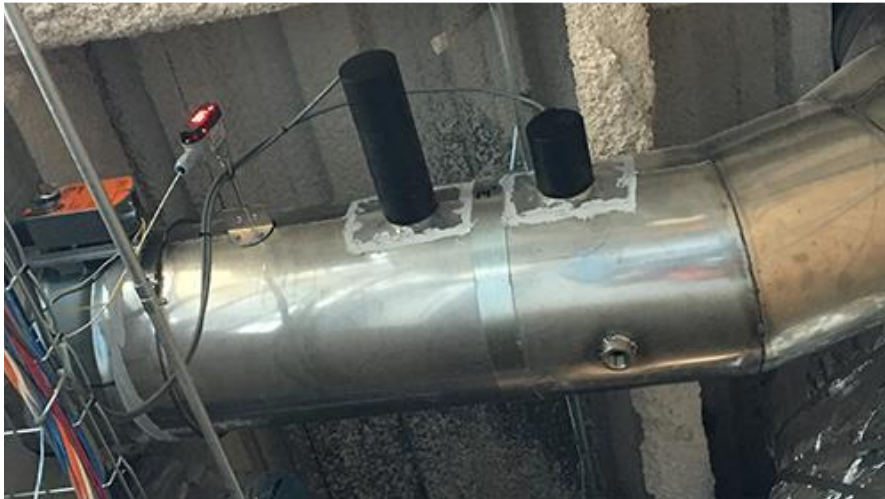
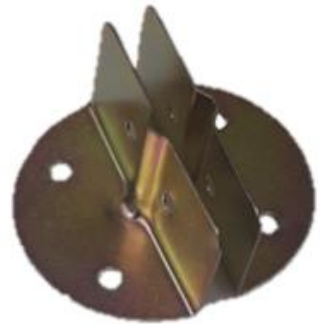
WebiSmarts System

ROTEM RadMon Bracket (Weatherproof) for Flow Meter PCAT: P5451GT

Radiation Detection Division

WebiSmarts utilizes two gamma detectors and a Flow Meter to calculate and display the concentration of effluent through the exhaust stack and thereby create historical graphs of concentration and a report of activity released between two dates.

The Flow Meter is installed through the weather proof bracket into the center of the Exhaust Stack

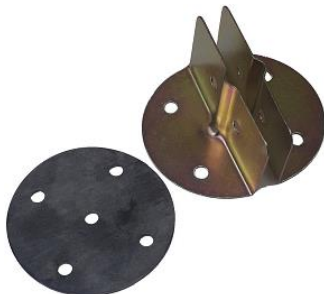


* Silicon or any other sealer is not required. The bracket is supplied with a rubber seal

Bracket for Flow Meter

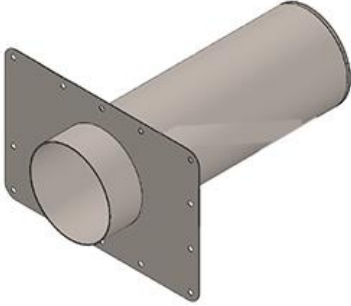
Includes:

Rubber Seal and Metal Bracket

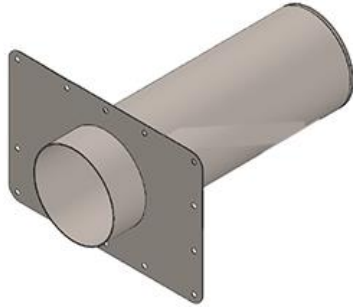


Other Brackets that may interest you

GM-42 Detector Bracket
P5451GS



PM-11 Detector Bracket
P5451GR



Area Monitor Bracket
P5451GE



Detector Bracket
P5451GJ



ROTEM INDUSTRIES reserves the right to change specifications without advance notice